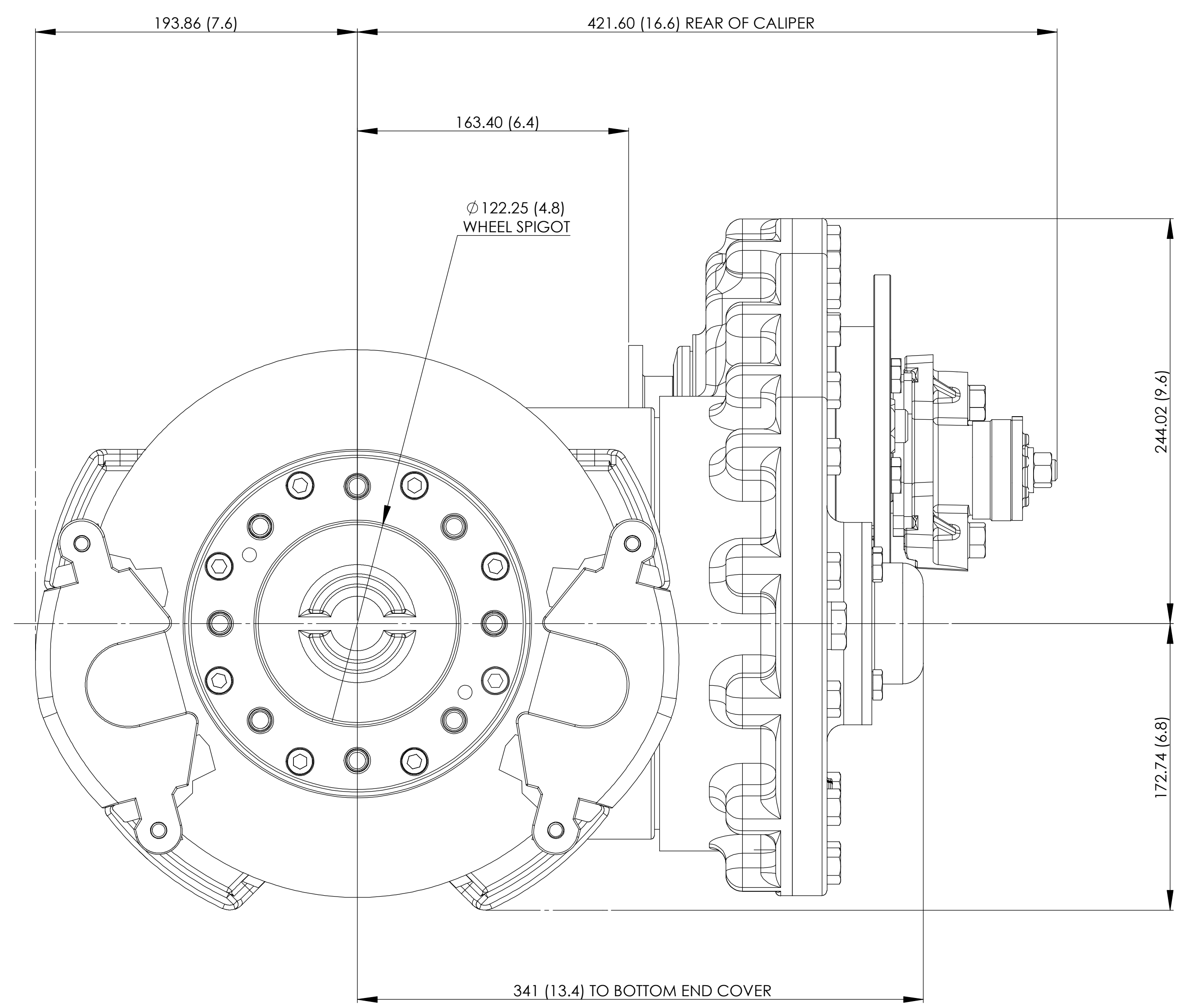
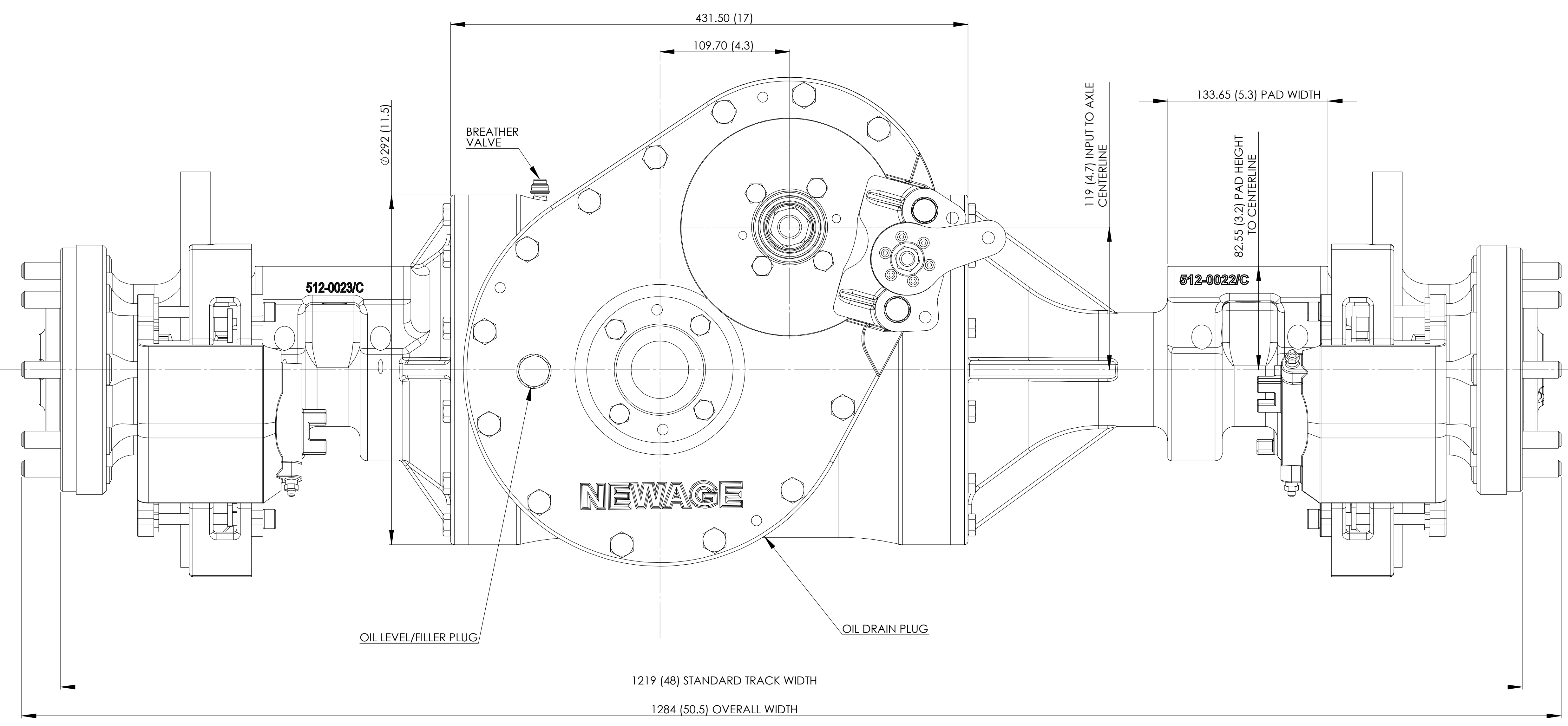
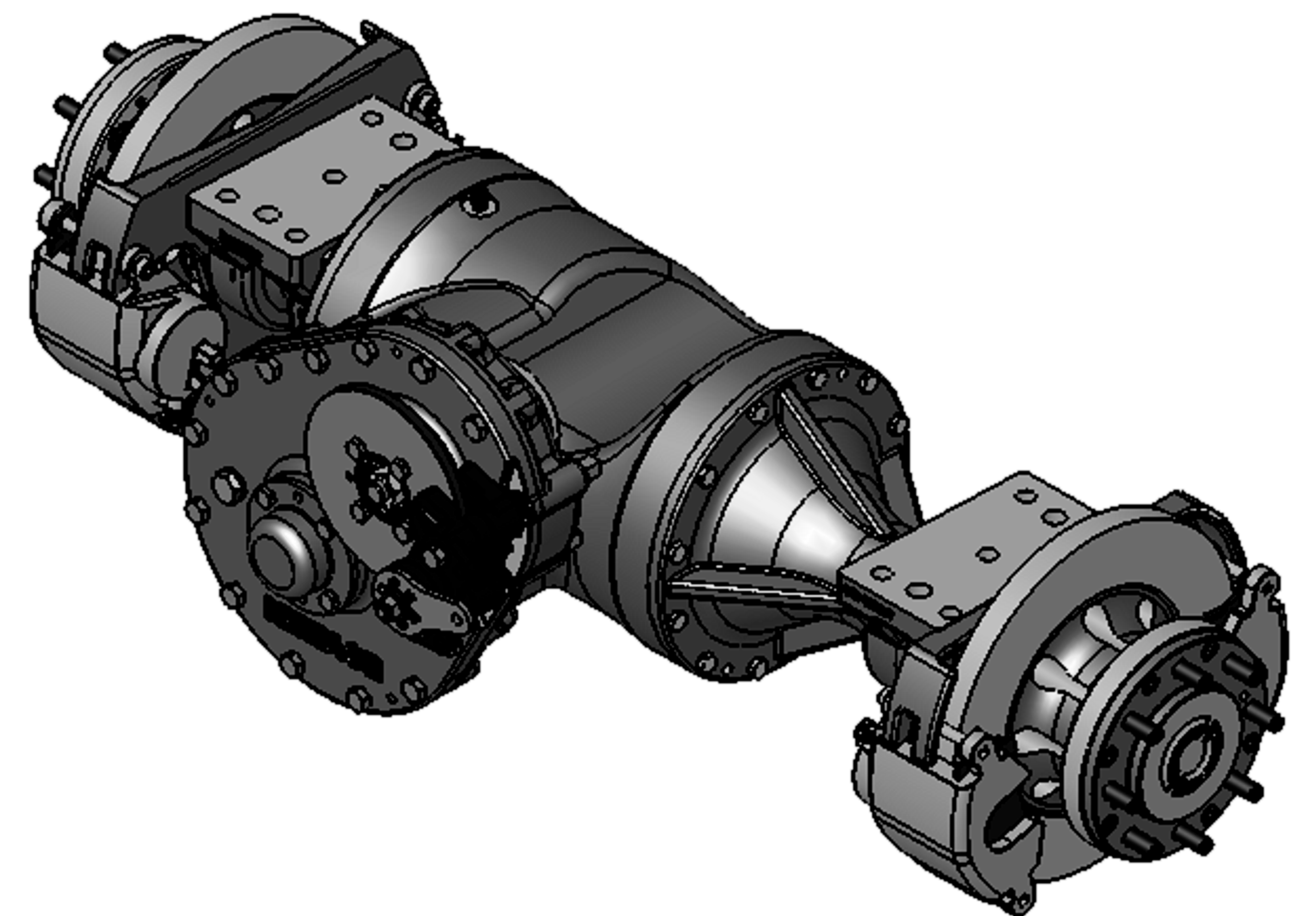
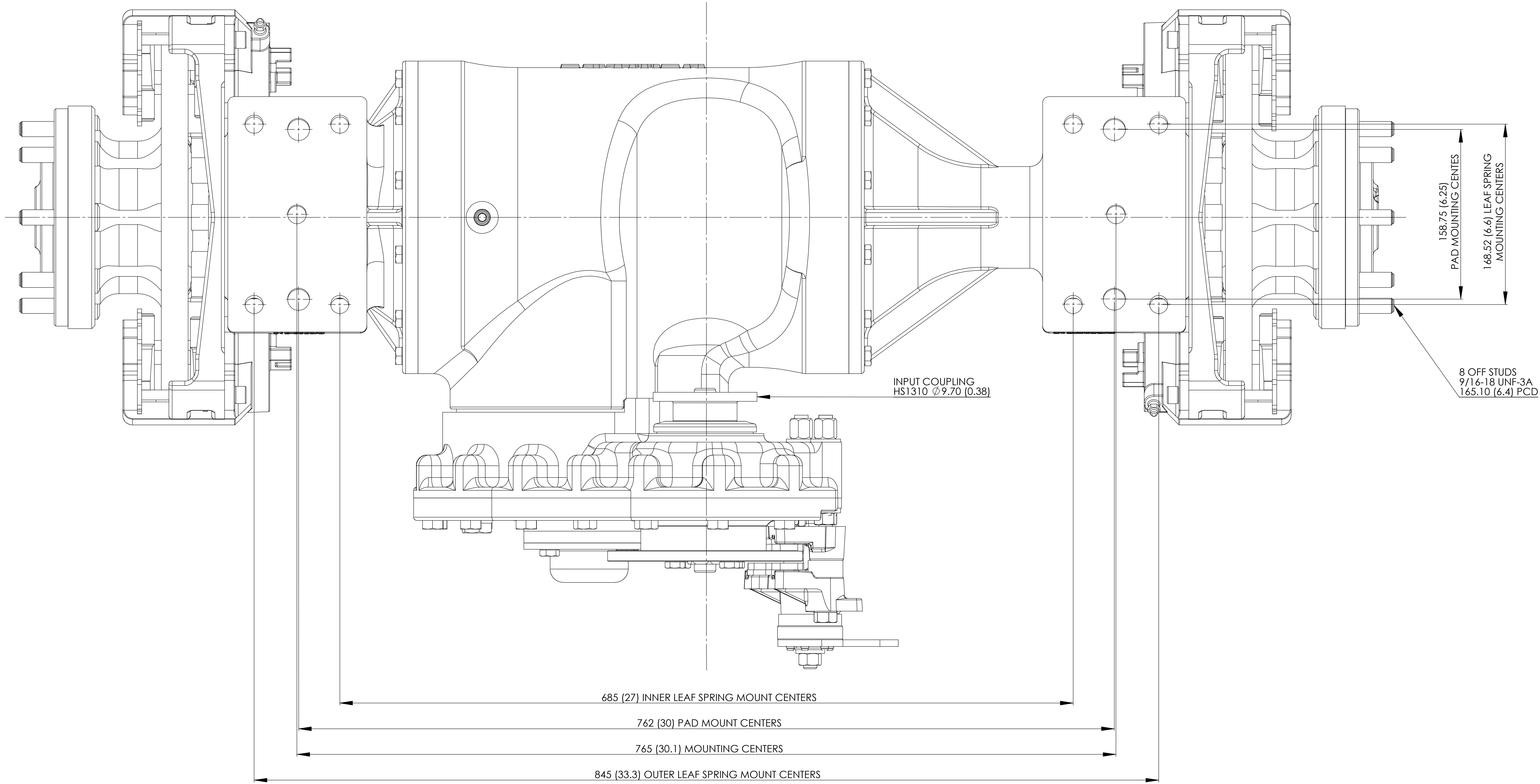


PART No: 512PB INST



THIS DOCUMENT IS CONFIDENTIAL AND IS THE PROPERTY OF PRM MARINE LIMITED. IT IS SUPPLIED ON THE EXPRESS CONDITION THAT IT MAY NOT BE LOANED, COPIED OR DISCLOSED TO ANY THIRD PARTY AND MUST BE RETURNED ON DEMAND.		ISS	MODIFICATION DESCRIPTION	BY	DATE	MOD No
DRAWN: M. CRANE	SIGNED:					
APPROVED:	SIGNED:					
SHEET No: 1 of 1	STATUS: PRODUCTION	SCALE: 1:2	DATE: 15.07.2013			
DO NOT SCALE, IF IN DOUBT ASK!	DIMENSIONS IN mm UNLESS OTHERWISE SPECIFIED	HEAT TREATMENT:		ISSUE: A		
GENERAL MC FINISH PA 6.3, THREADS TO MEDIUM FIT (H7/g6), WHO'E DIMENSIONS = ±0.25, DECIMAL DIMENSIONS = ±0.25, ANGULAR DIMENSIONS = ±0.05°		TITLE: 512 PARK BRAKE INSTALLATION		PART No: 512PB INST		
BREAK ALL SHARP EDGES PLEASE INFORM OF ANY ERRORS						

PRM MARINE LIMITED
 BARLOW ROAD
 ALDERMAN'S GREEN IND. EST.
 COVENTRY CV2 2LD
 Tel: +44 (0)24 7661 7141
 Fax: +44 (0)24 7661 1845
 Email: design@prm-marine.com
 Web: www.prm-marine.com